



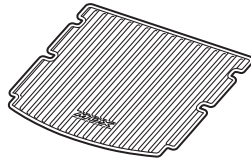
INSTALLATION INSTRUCTIONS

Accessory CARGO TRAY	Application 2015 MDX	Publications No. BII 51628
		Issue Date MAY 2014

PARTS LIST

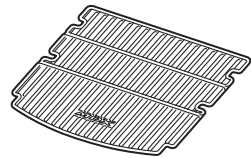
Cargo Tray Kit
P/N 08U45-TZ5-200A

Cargo tray (standard)



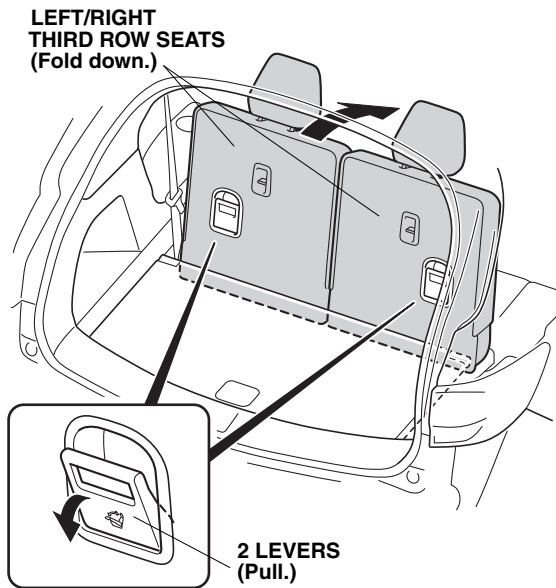
Cargo Tray Kit
P/N 08U45-TZ5-200B

Cargo tray (folding)



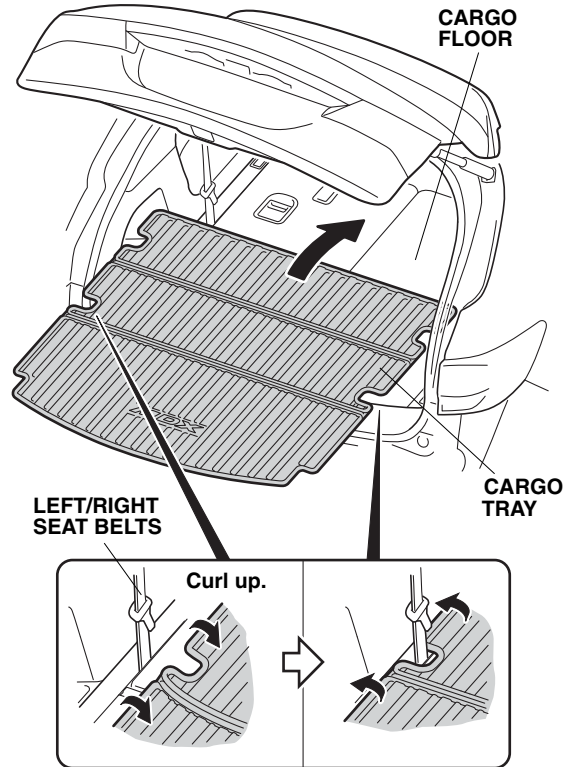
INSTALLATION

1. Pull each lever, and fold down the left and right third row seats.



QB01910AH

2. Place the cargo tray on the cargo floor.

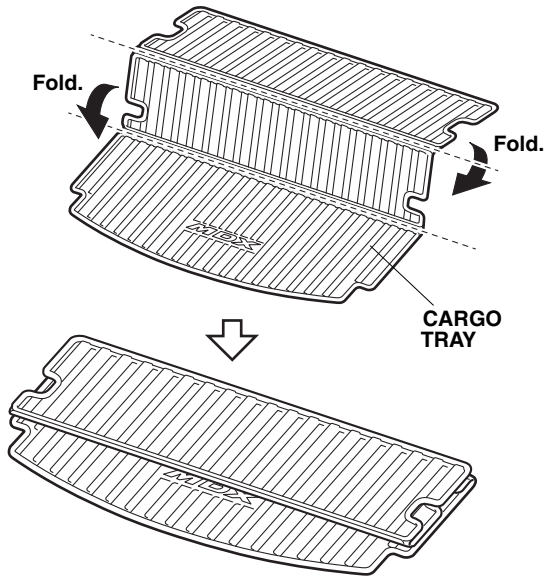


QB02970BH

The cargo tray (folding) can be installed in the folded position.

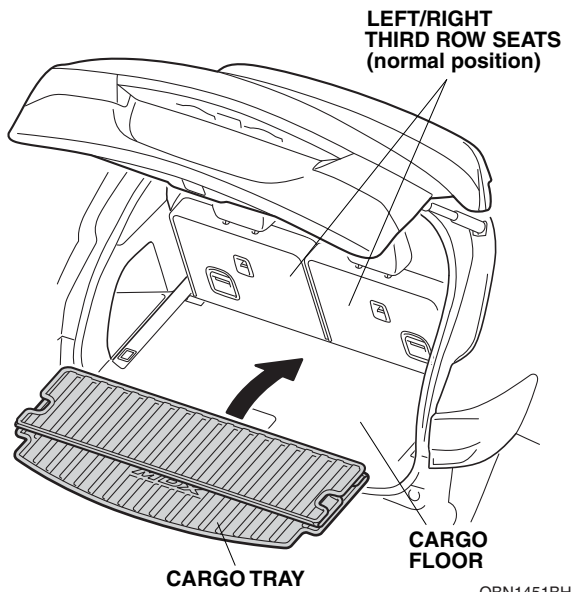
Folded Position:

- Fold the cargo tray as shown.



QBN1450BH

- Place the cargo tray on the cargo floor.



QBN1451BH